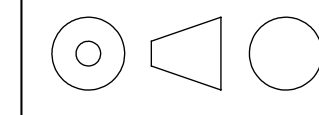
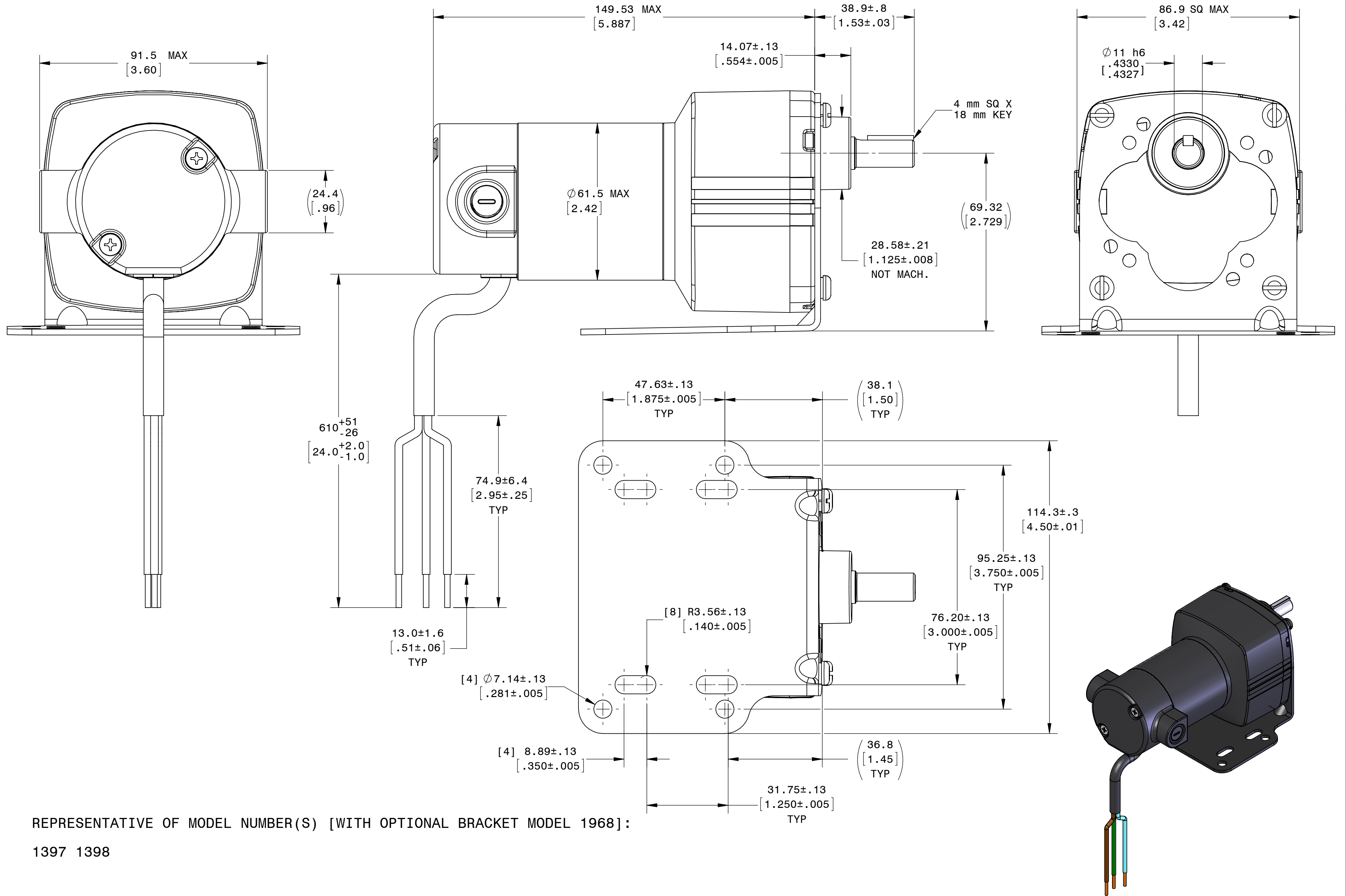


NOTES:  
1. TORQUE SCREWS TO ATTACH MODEL 1968 BRACKET TO GERMOTOR WITH 3.4 Nm



DESCRIPTION:  
GERMOTOR 24A2BEPM-D3/4/5 METRIC  
WITH L BRACKET

SHEET: 1/1	UNLESS OTHERWISE SPECIFIED:
SCALE: 1:1	UNITS ARE IN mm [INCHES]
<b>C</b>	ANGLES: X°:±3° X.X°:±0.5°



REPRESENTATIVE OF MODEL NUMBER(S) [WITH OPTIONAL BRACKET MODEL 1968]:

1397 1398

