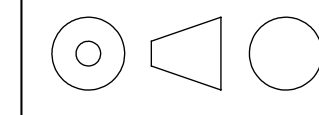
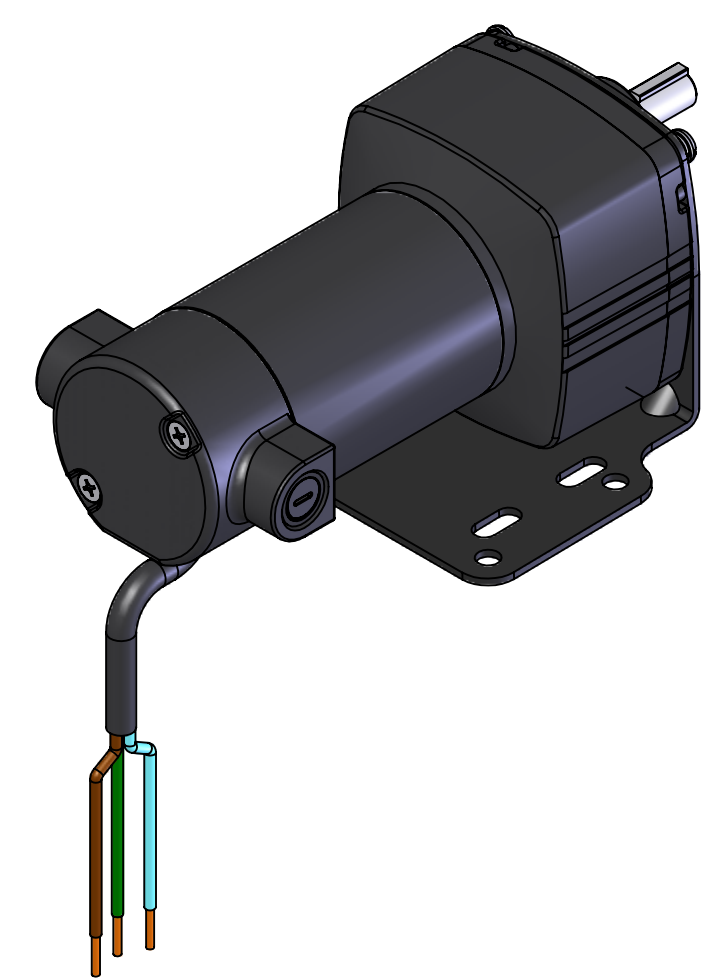
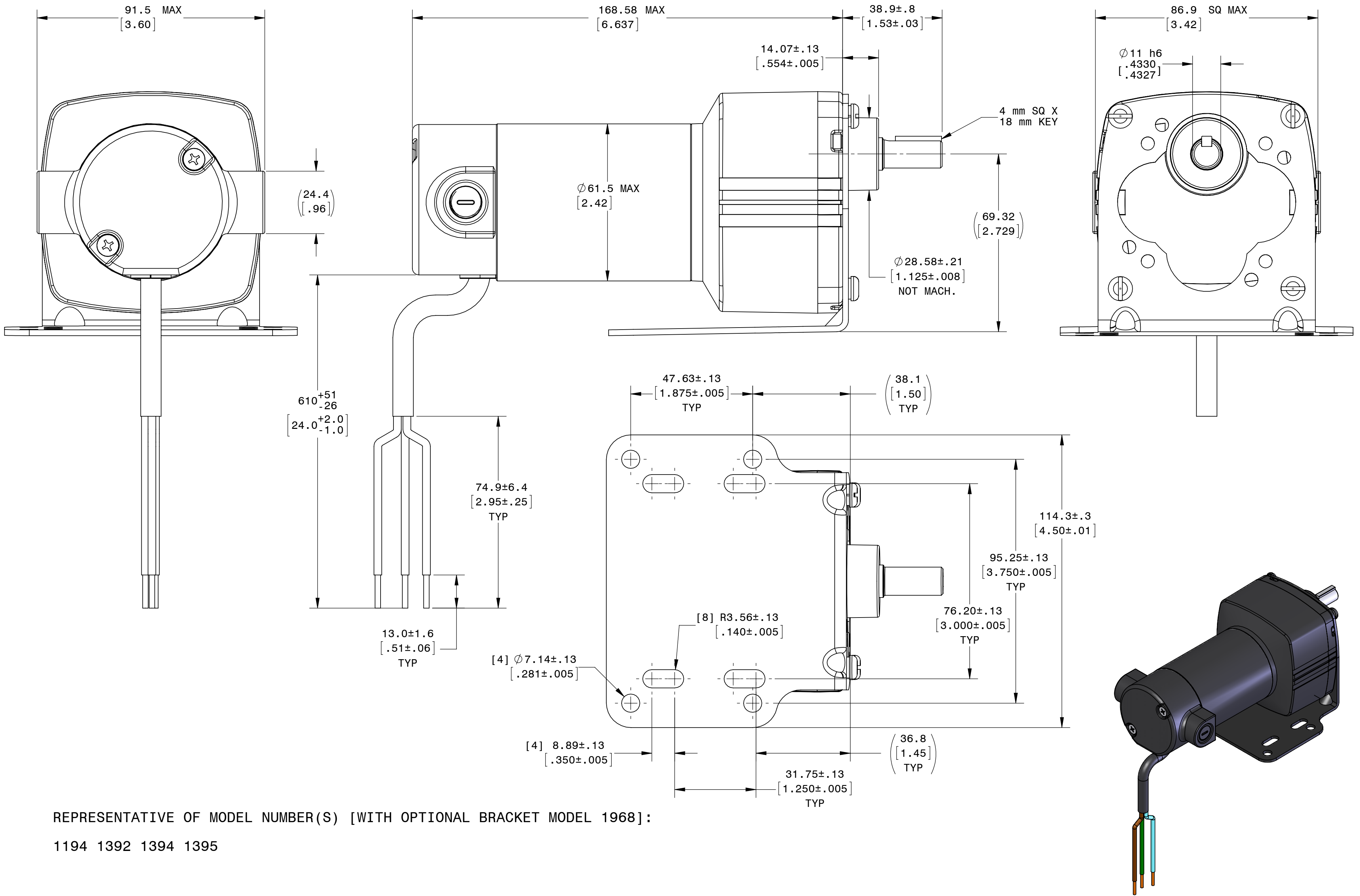


NOTES:
1. TORQUE SCREWS TO ATTACH MODEL 1968 BRACKET TO GEARMOTOR WITH 3.4 Nm



DESCRIPTION:
GEARMOTOR 24A4BEPM-D3/4/5 METRIC
WITH L BRACKET

SHEET: 1/1	UNLESS OTHERWISE SPECIFIED:
SCALE: 1:1	UNITS ARE IN mm [INCHES]
C	ANGLES: X°:±3° X.X°:±0.5°



REPRESENTATIVE OF MODEL NUMBER(S) [WITH OPTIONAL BRACKET MODEL 1968]:
1194 1392 1394 1395