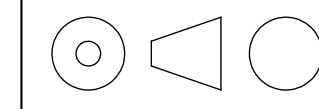
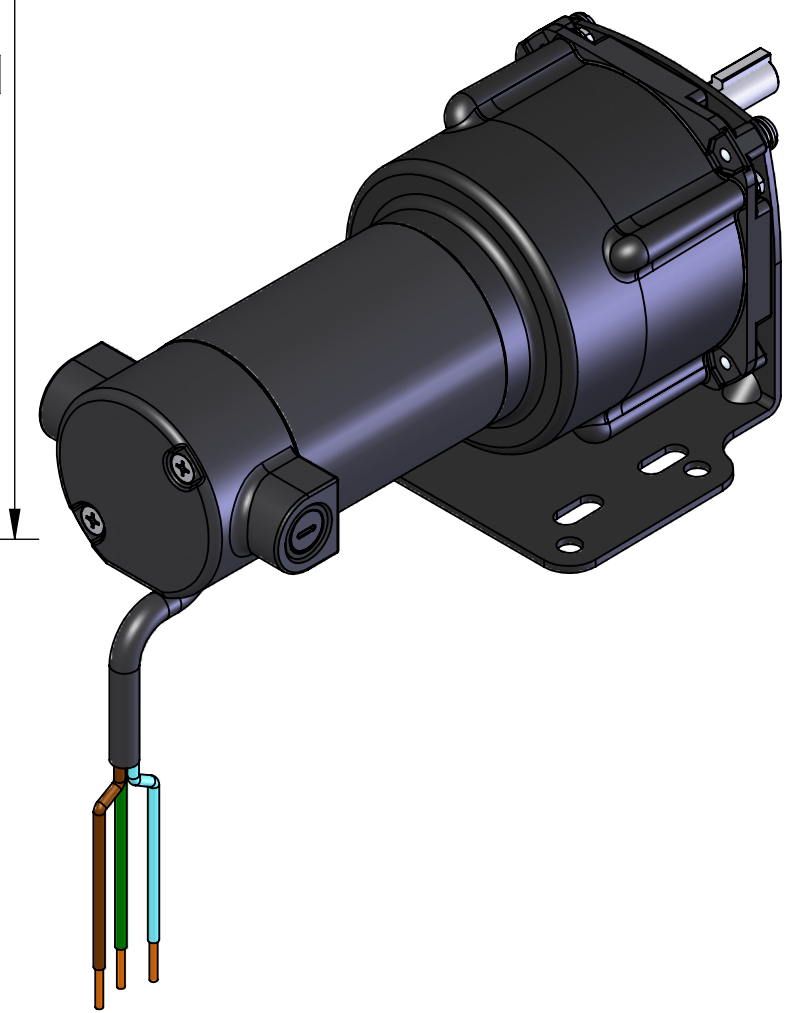
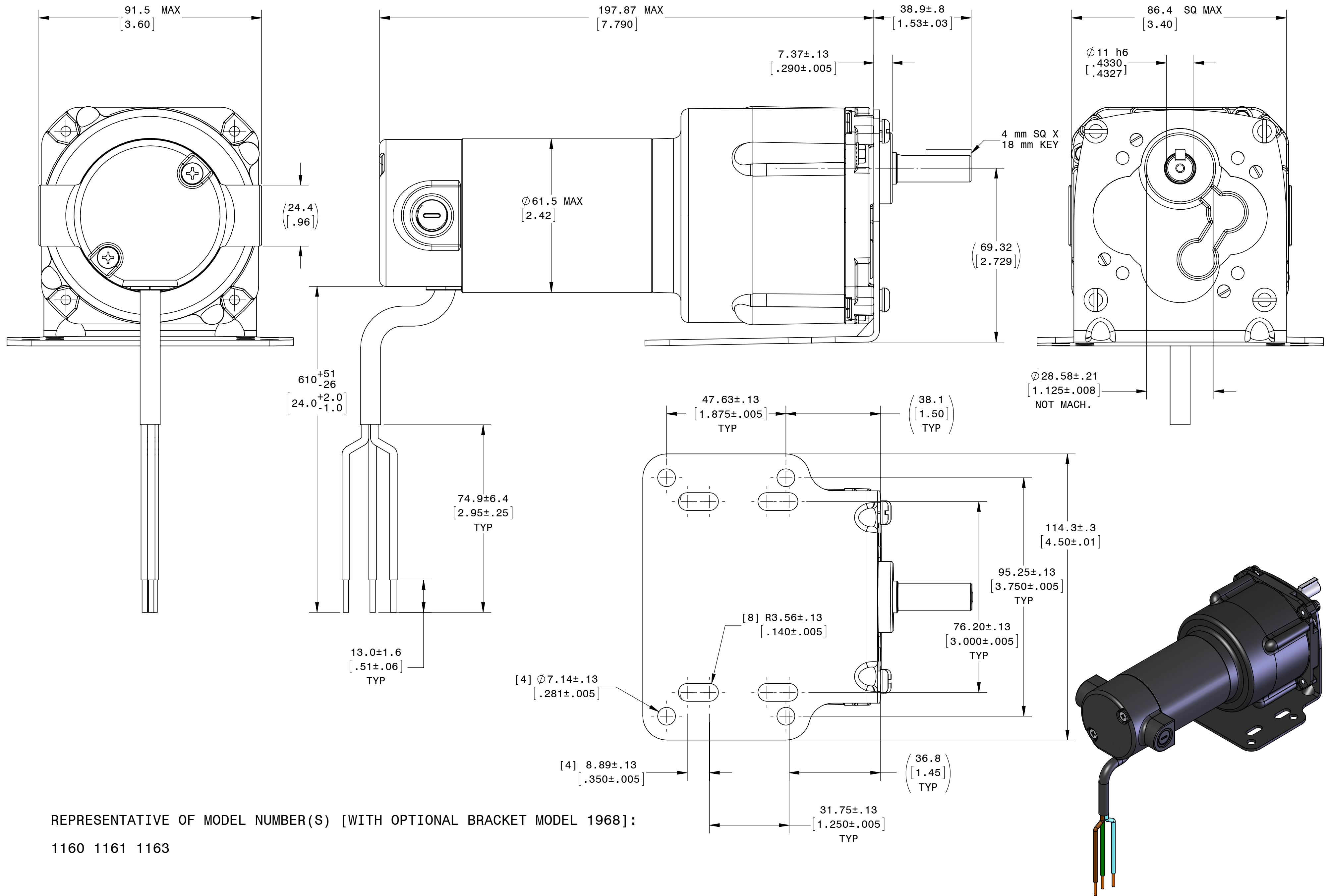


NOTES:  
1. TORQUE SCREWS TO ATTACH MODEL 1968 BRACKET TO GEARMOTOR WITH 3.4 Nm



DESCRIPTION:  
GEARMOTOR 24A4BEPM-Z3/4 METRIC  
WITH L BRACKET

SHEET: 1/1  
SCALE: 1:1  
UNLESS OTHERWISE SPECIFIED:  
UNITS ARE IN mm [INCHES]  
ANGLES: X°:±3° X.X°:±0.5°  
C



REPRESENTATIVE OF MODEL NUMBER(S) [WITH OPTIONAL BRACKET MODEL 1968]:  
1160 1161 1163