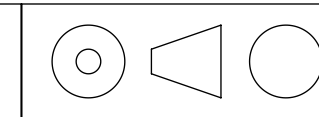
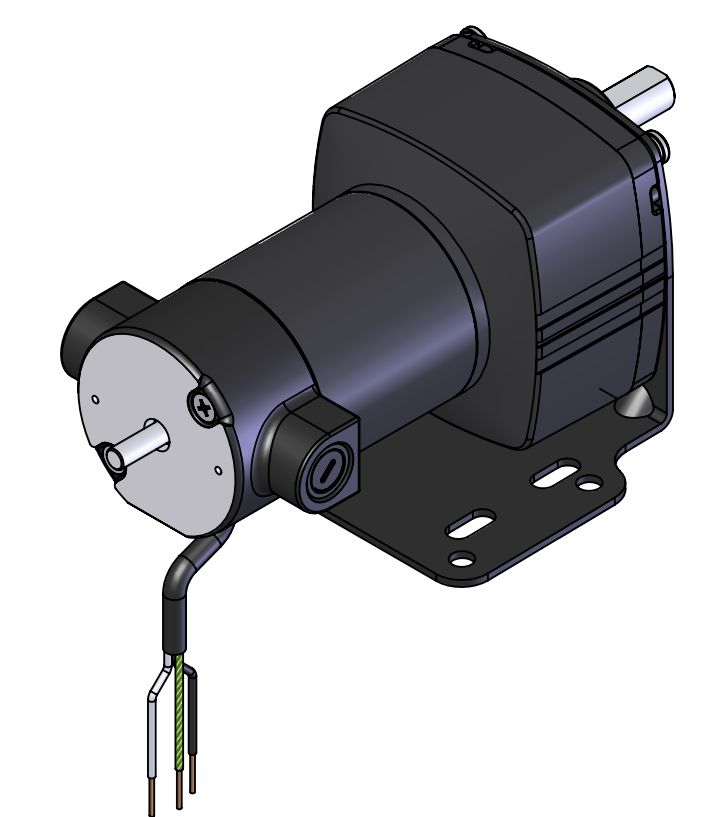
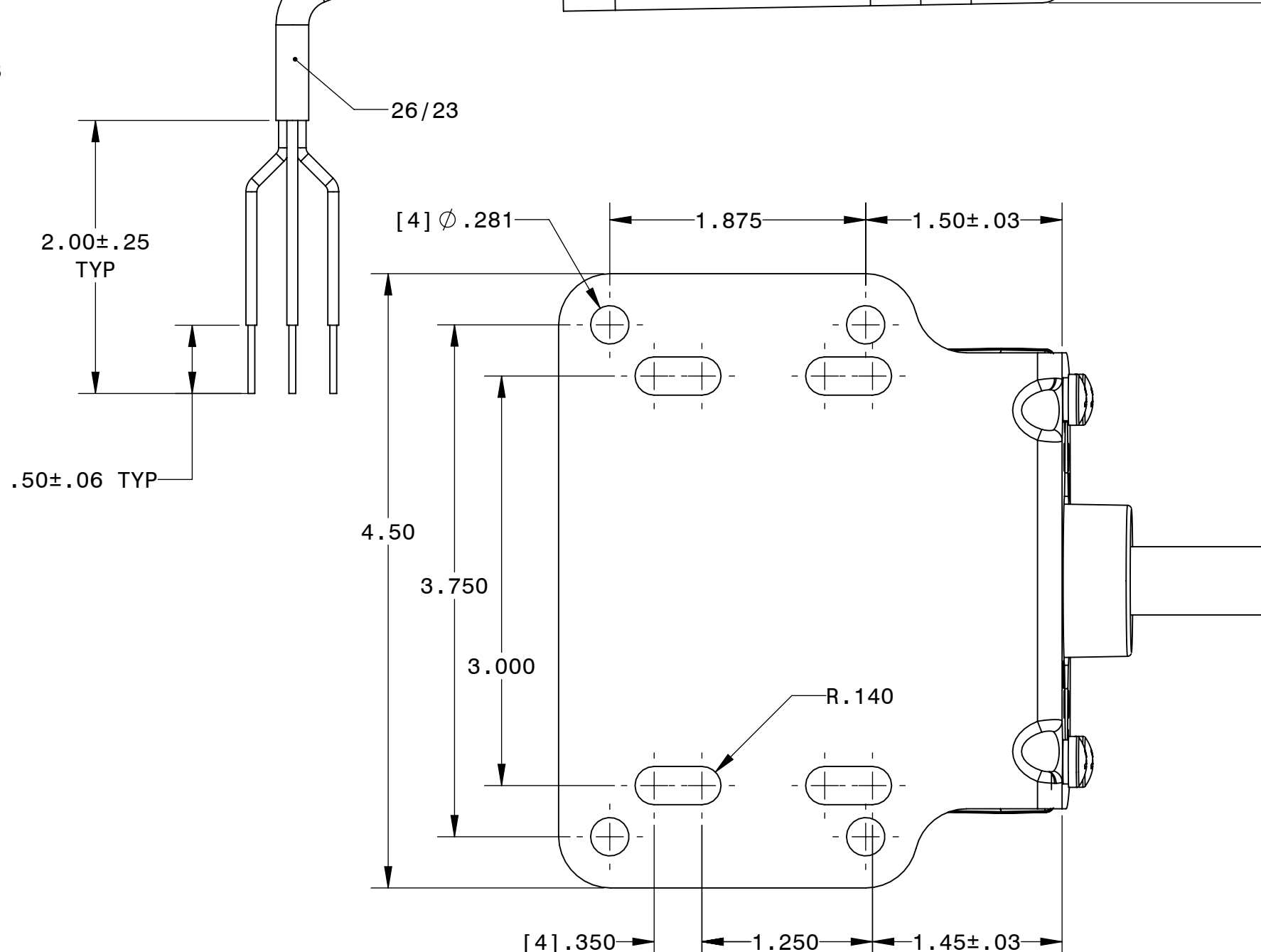
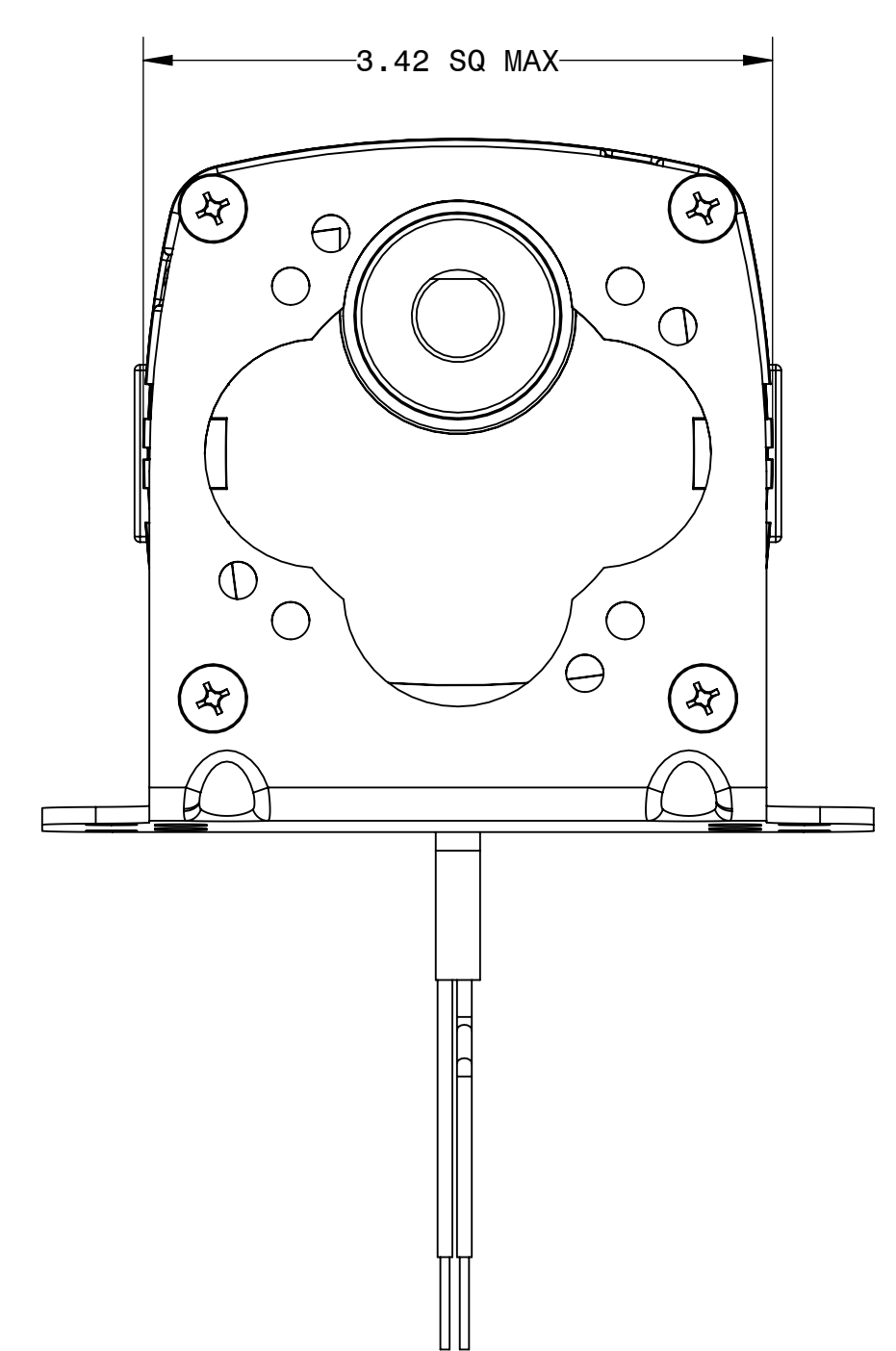
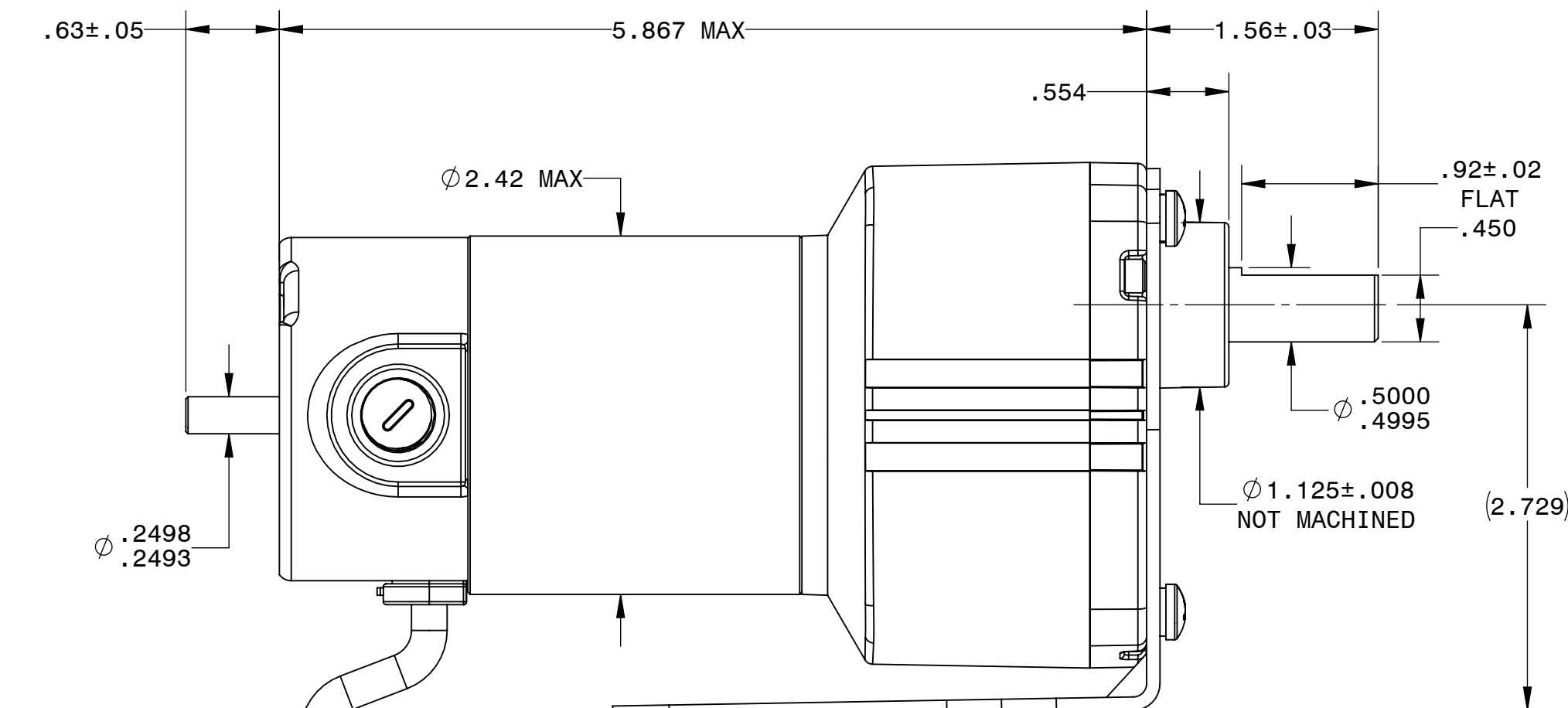
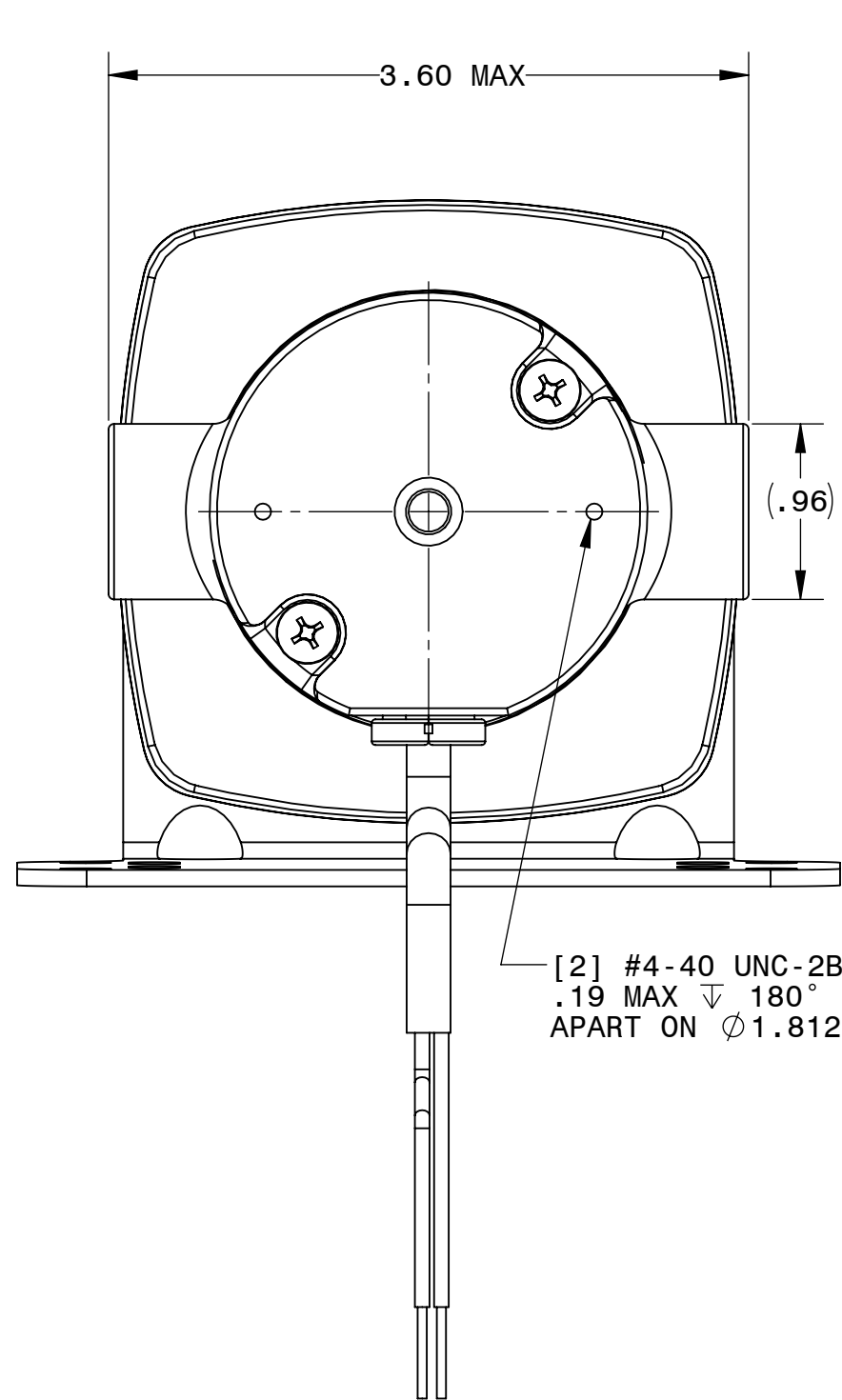


NOTES:
1. TORQUE SCREWS TO ATTACH MODEL 5968 BRACKET TO GEARMOTOR WITH 30 LB-IN



DESCRIPTION:	GEARMOTOR 24A2FEPM-D3/4/5 WITH L BRACKET
SHEET:	1/1
SCALE:	1:1
C	UNLESS OTHERWISE SPECIFIED: UNITS ARE IN INCHES [mm] TOLERANCES: .XX:±.01 .XXX:±.005 ANGLES: X°:±3° X.X°:±0.5°



REPRESENTATIVE OF MODEL NUMBER(S): [WITH OPTIONAL BRACKET MODEL 5968]
4491 4492 4493 4494 4495 4496 4497 4498 4499 4991 4992 4993 4994 4995 4996 4997 4998 4999