

4

3

2

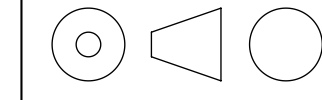
1

BODINE ELECTRIC COMPANY

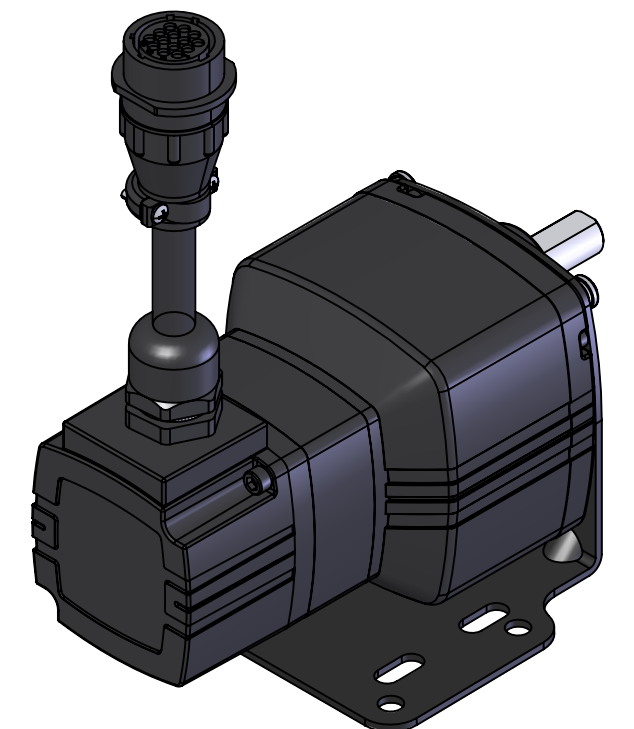
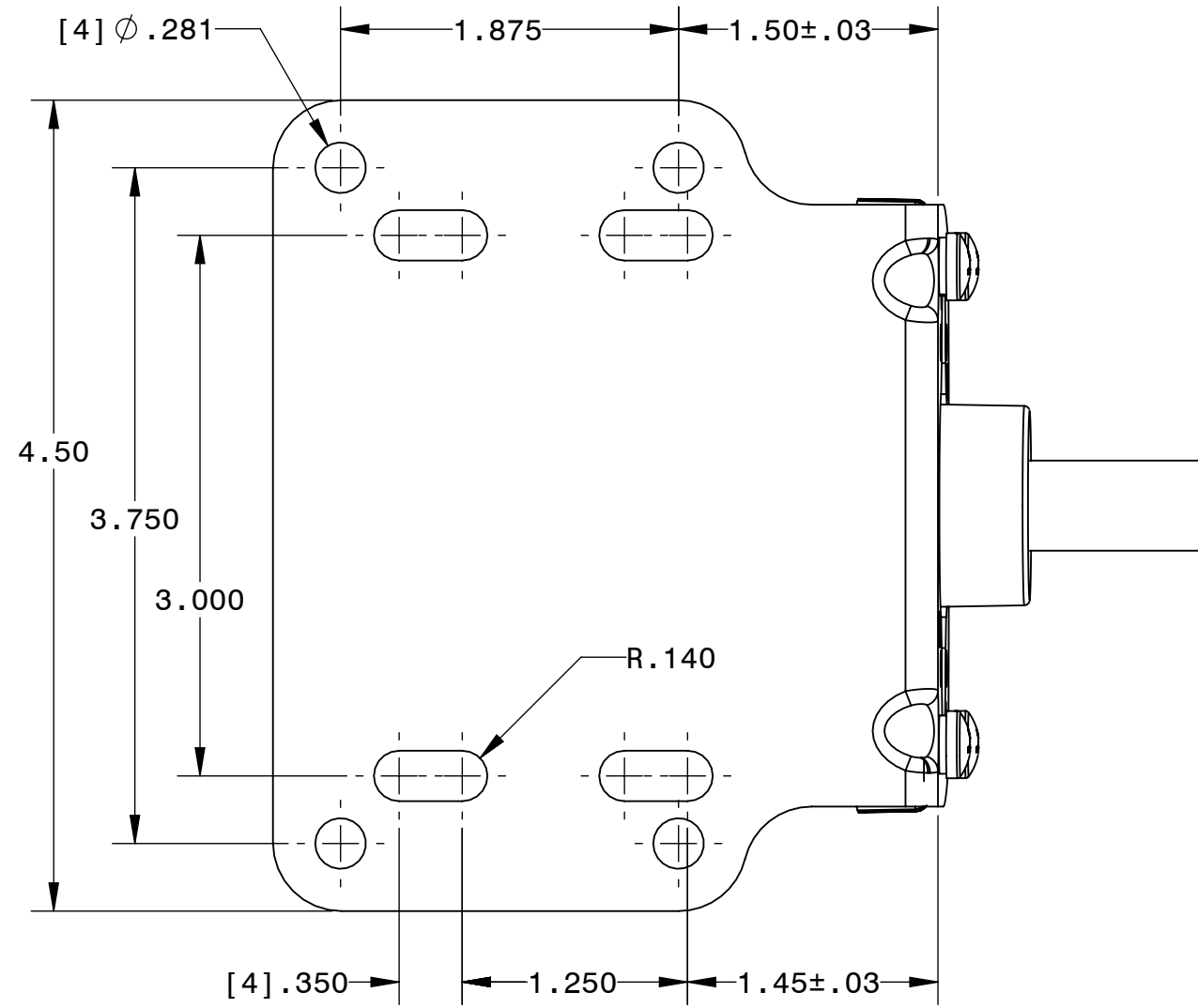
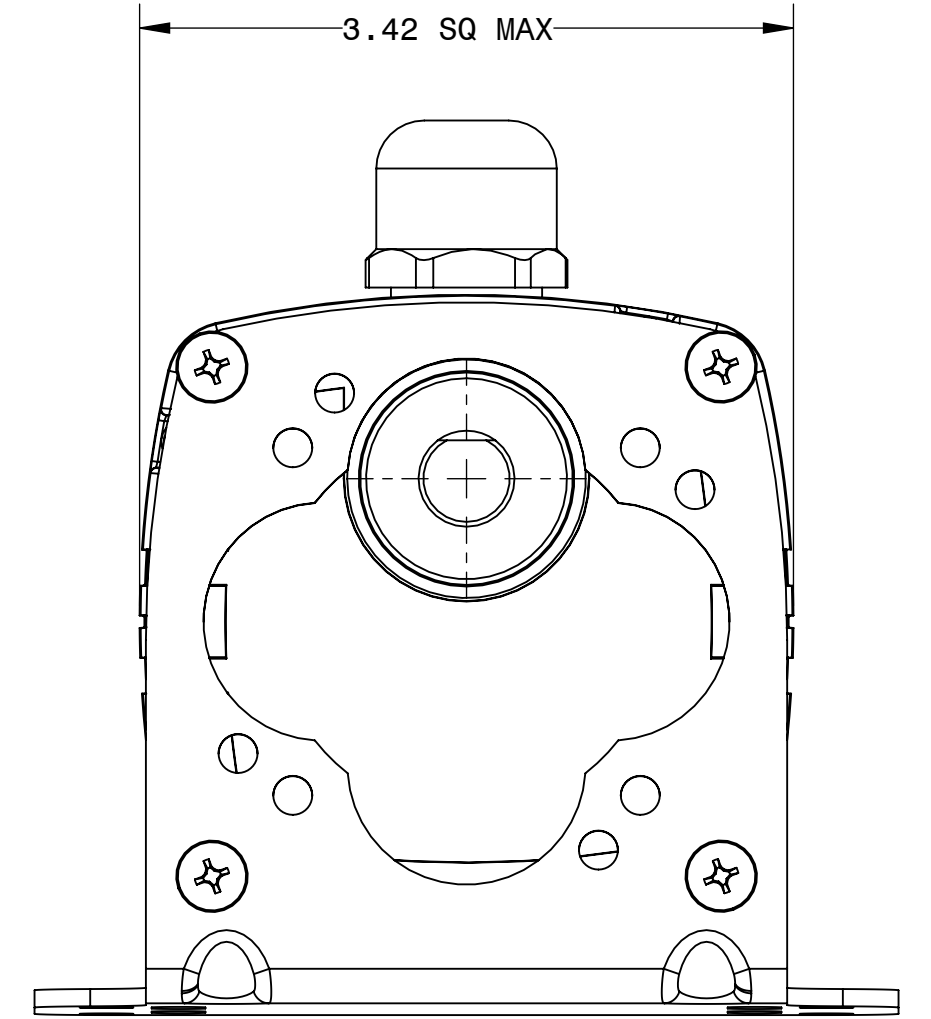
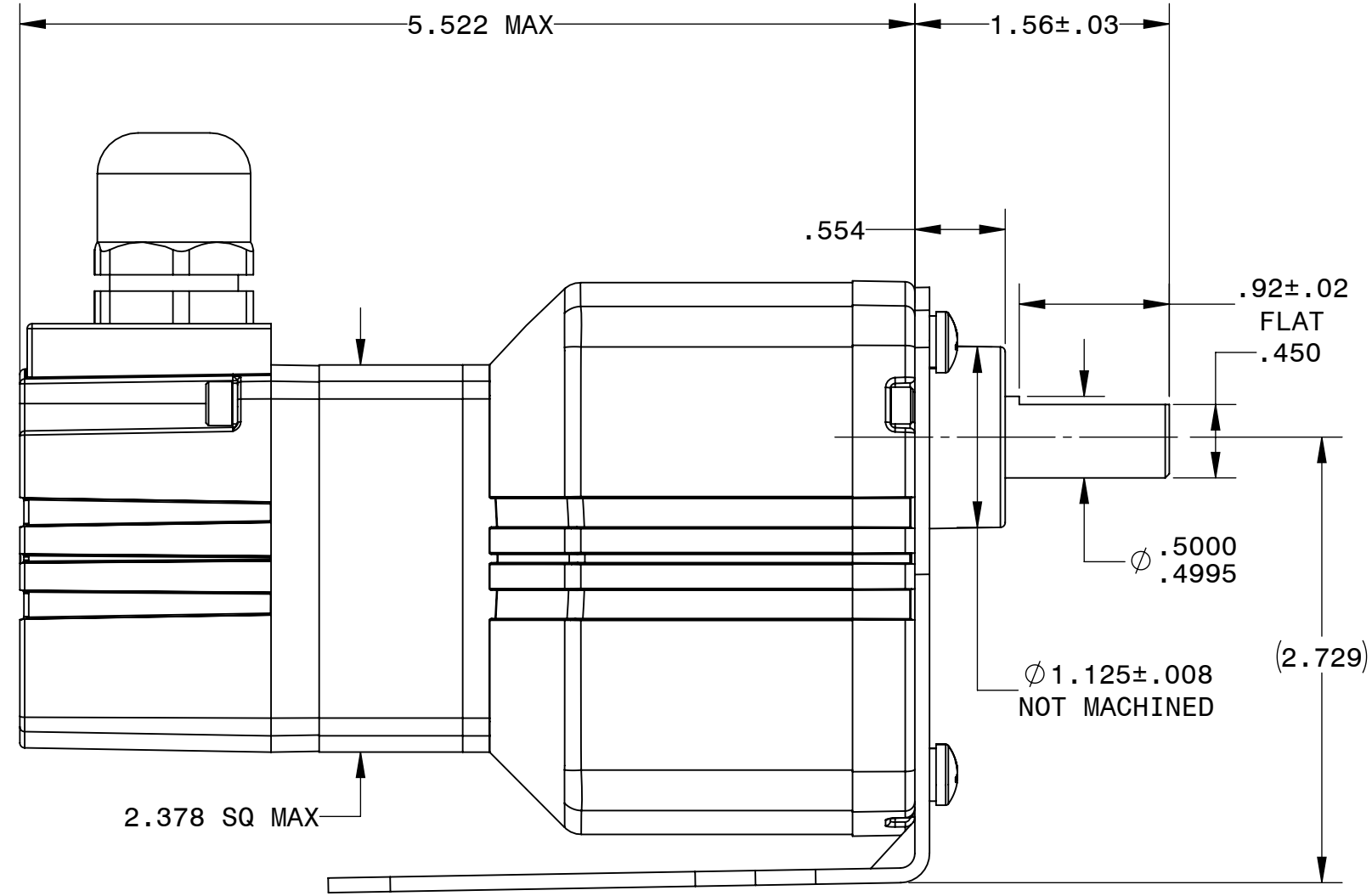
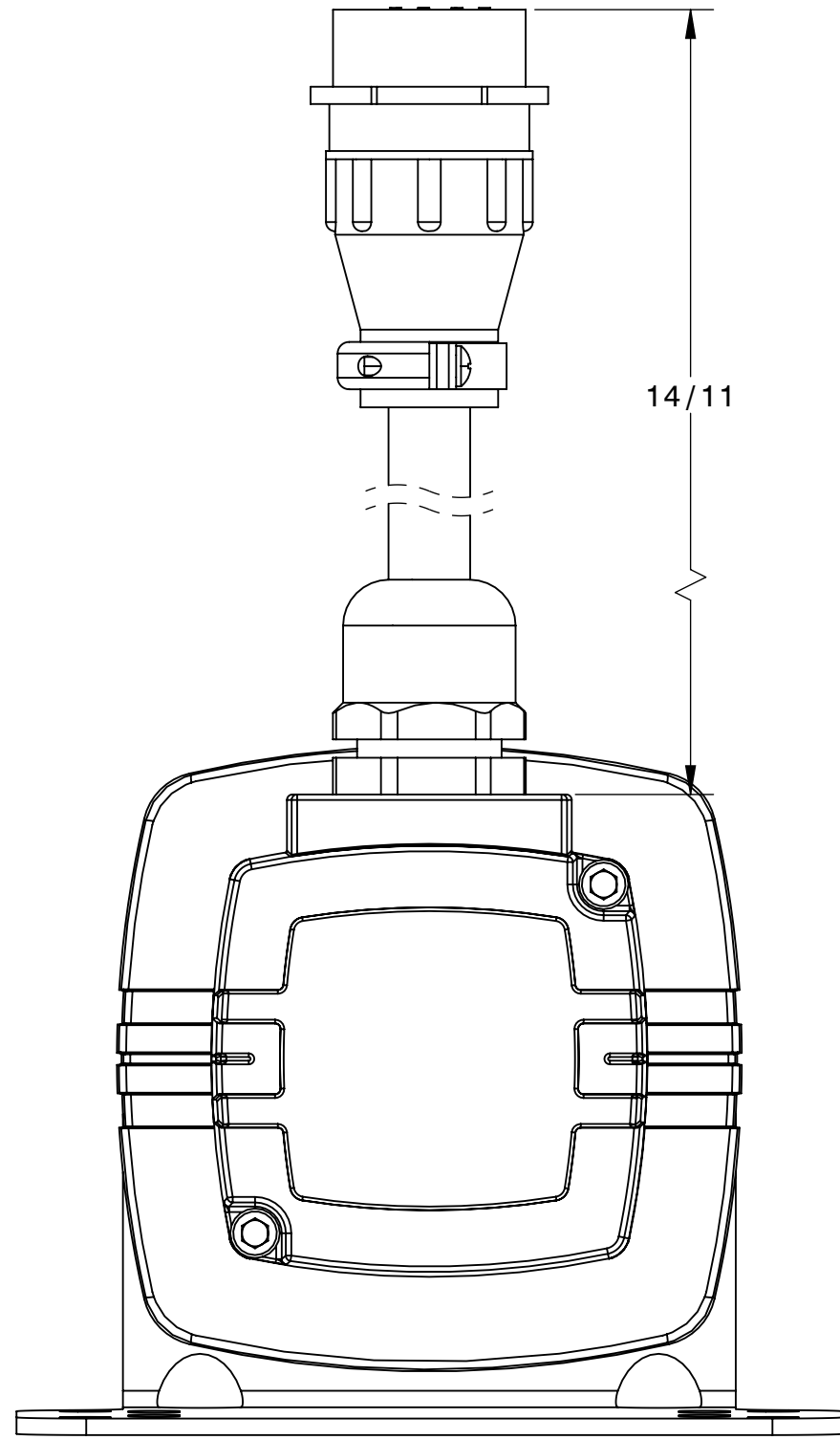
PART NO./REV: INFM0303 A

NOTES:

1. TORQUE SCREWS TO ATTACH MODEL 5968 BRACKET TO GEARMOTOR WITH 30 LB-IN



| | |
|---|--|
| DESCRIPTION: GEARMOTOR 22B2BEBL-D3/4 WITH L BRACKET | |
| SHEET: 1/1 | UNLESS OTHERWISE SPECIFIED: |
| SCALE: 1:1 | UNITS ARE IN INCHES [mm] |
| C | TOLERANCES: .XX:±.01 .XXX:±.005 ANGLES: X°:±3° X.X°:±0.5° |



REPRESENTATIVE OF MODEL NUMBER(S): [WITH OPTIONAL BRACKET MODEL 5968]

3326 3327 3328 3329 3330 3331 3333

4

3

2

1