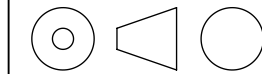


BODINE ELECTRIC COMPANY

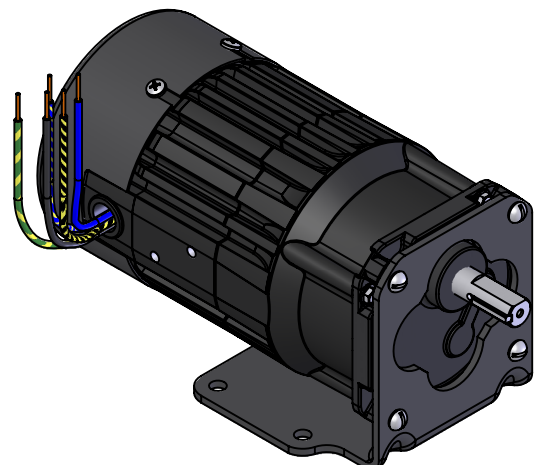
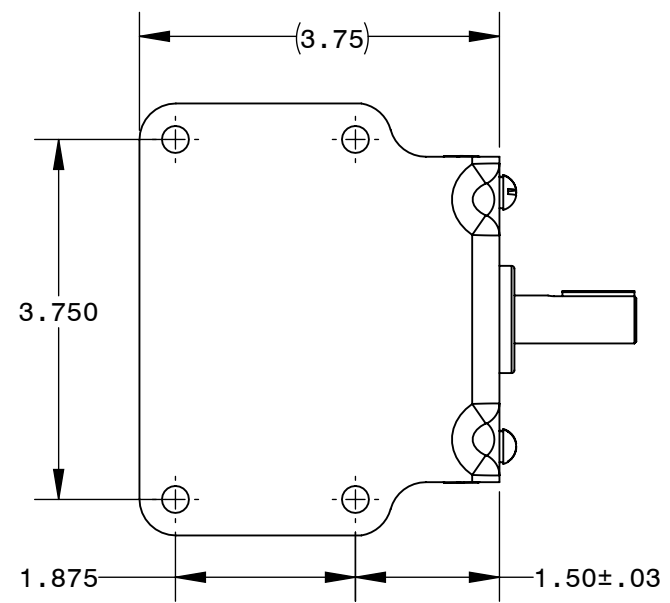
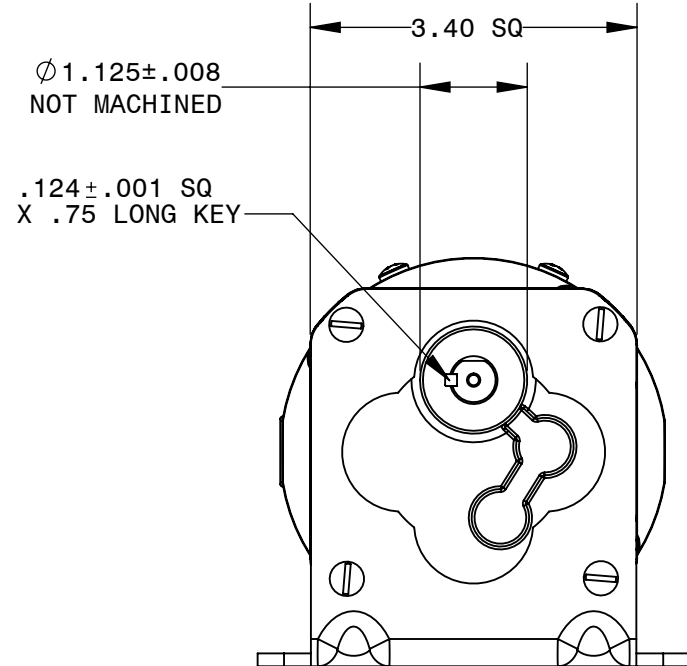
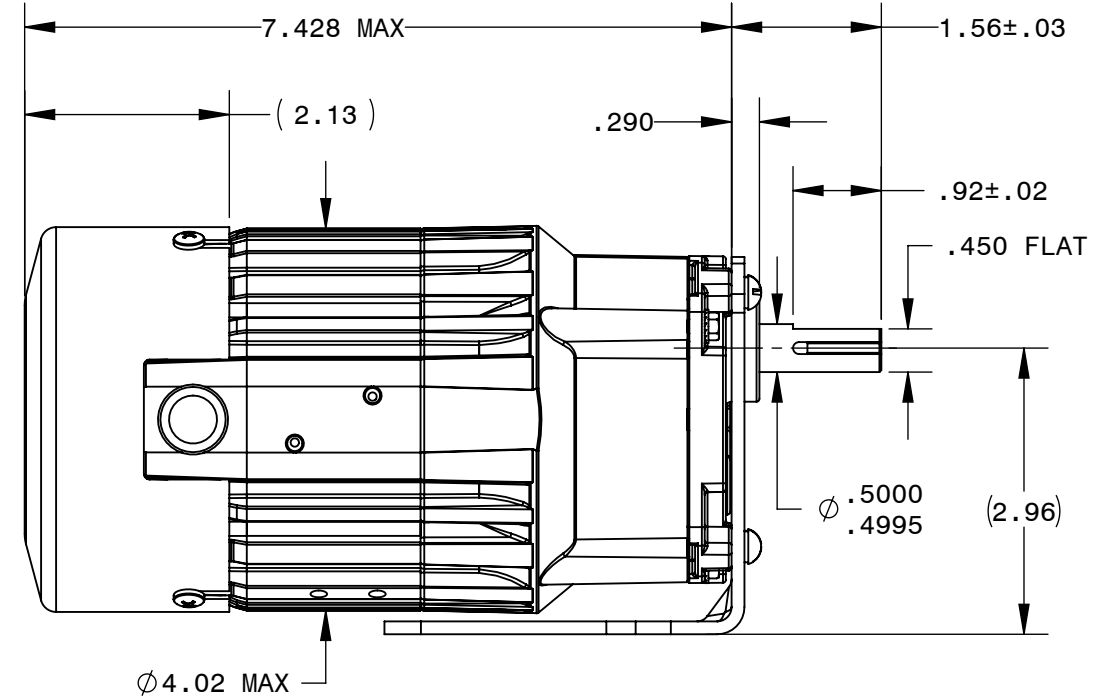
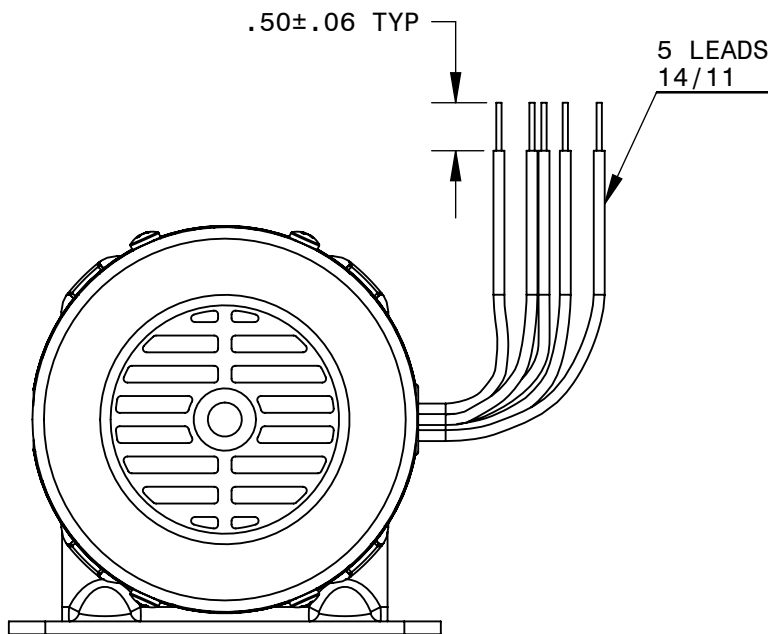
PART NO./REV: INFM0310 A

DESCRIPTION:
GEARMOTOR 34R4BF-Z2
WITH L BRACKET

SHEET: 1/1	UNLESS OTHERWISE SPECIFIED:
SCALE: 1:2	UNITS ARE IN INCHES [mm]
B	TOLERANCES: .XX:±.01 .XXX:±.005
	ANGLES: X°:±3° X.X°:±0.5°



NOTES:
1. TORQUE SCREWS TO ATTACH MODEL 0980 BRACKET TO GEARMOTOR WITH 30 LB-IN



REPRESENTATIVE OF MODEL NUMBER(S): [WITH OPTIONAL BRACKET MODEL 0980]

0451 0452 0453